

RANGE COMPOSITION

EVO700: range comprised of over 100 models designed to guarantee the highest level of performance, reliability, energy saving, safety standards and ergonomic operation. These concepts are reflected throughout the line in its modularity, construction and numerous configurations. Thanks to its advance technology and premium performance, the EVO700 is a perfect solution for institutions with a limited footprint as well as restaurants needing to obtain the most from the kitchen space. The models detailed in this sheet are 7 litres electric fryers with one or two wells.



372075

EVO700

ELECTRIC FRYERS - 7 LT ZANUSSI PROFESSIONAL

FUNCTIONAL AND CONSTRUCTION FEATURES

- ◆ Deep drawn V-Shaped well with rounded corners and external heating elements for safe and easy cleaning.
- ◆ The external burners guarantee a long oil life thanks to the indirect heating system and uniform distribution of heat.
- ◆ Working temperature from 105°C to 185°C.
- ◆ Overheat safety thermostat.
- ◆ All models have right-angled side edges to allow flush-fitting joins between units, eliminating gaps and possible dirt traps.
- ◆ One piece pressed worktop in 1,5mm stainless steel with smooth, rounded corners.
- ◆ Front panel in stainless steel with Scotch Brite finish.
- ◆ Feet in stainless steel adjustable in height 50mm.
- ◆ Oil drainage via a tap into a drainage container positioned under the well in freestanding models, thus simplifying the consumed oil management and guaranteeing the operator safety.
- ◆ Oil drainage via tap with push and turn safety mechanism, located on the front panel for table-top models.
- ◆ IPX4 water protection.
- ◆ The special design of the control knobs

and bezels guarantees against water infiltration.

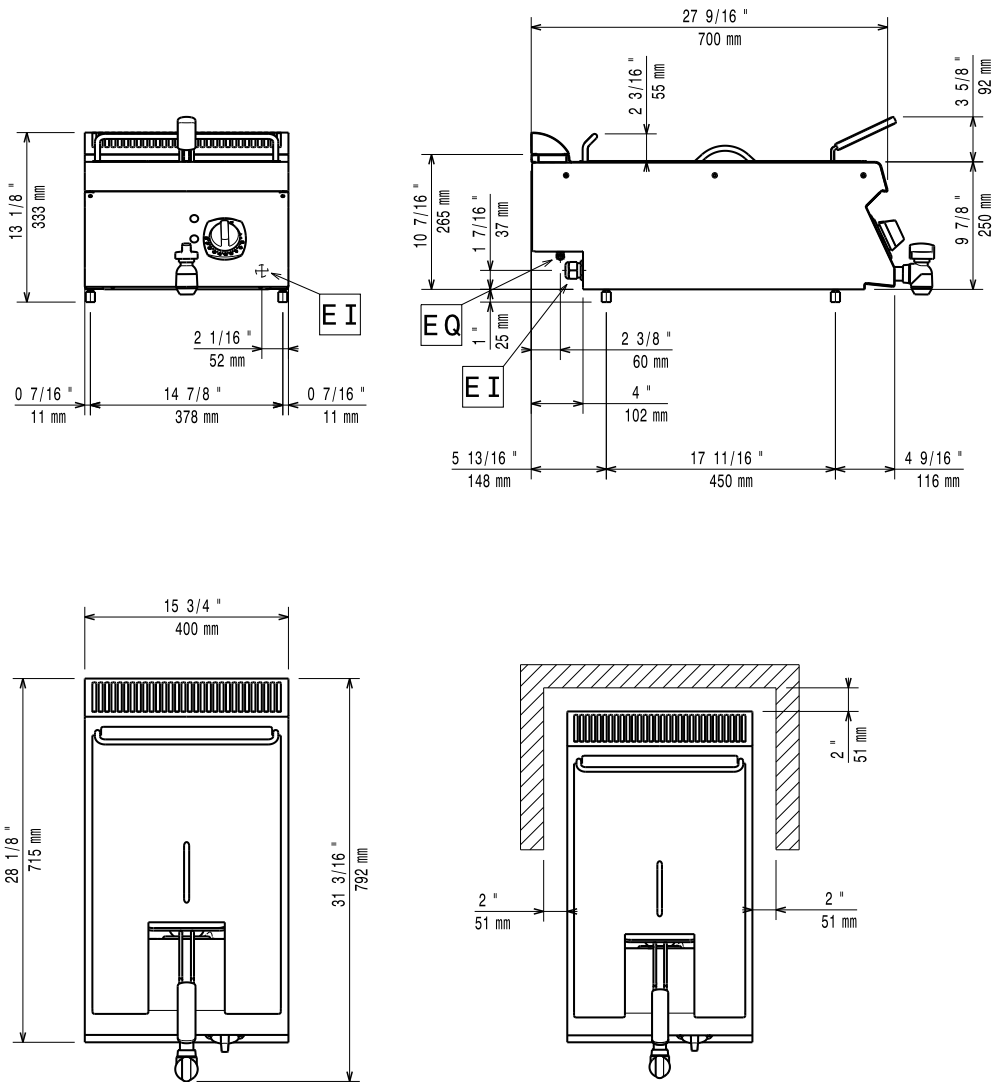
- ◆ Main connections are accessible from below the base of the unit.
- ◆ Access to all components from the front.

TECHNICAL DATA						
CHARACTERISTICS	MODELS					
	Z7FRED1B00 372075	Z7FREH2B00 372076	Z7FRED1BF0 372077	Z7FREH2BF0 372078	Z7FRED120N 372140	Z7FREH22FN 372141
Power supply	Electric	Electric	Electric	Electric	Electric	Electric
External dimensions - mm						
width	400	800	400	800	400	800
depth	700	700	700	700	700	700
height	250	250	850	850	250	850
height adjustment			50	50		50
N° of wells	1	2	1	2	1	2
Usable well dimensions - mm						
width	240	240	240	240	240	240
depth	380	380	380	380	380	380
height	235	235	235	235	235	235
Thermostatic	●	●	●	●	●	●
Temperature limiter	●	●	●	●	●	●
Maximum Well Capacity -lt	5.5, 7	5.5, 7	5.5, 7	5.5, 7	5.5, 7	5.5, 7
Power - kW						
installed-electric	5.4	10.8	5.4	10.8	5.4	10.8
Net weight - kg.	30	55	40	60	30	60
Supply voltage	400 V, 3N, 50/60	400 V, 3N, 50/60	400 V, 3N, 50/60	400 V, 3N, 50/60	230 V, 3, 50/60	230 V, 3, 50/60
INCLUDED ACCESSORIES						
BASKET FOR 7 LT FRYERS	1	2	1	2	1	2
DOOR FOR OPEN BASE CUPBOARD-ZANUSSI			1	2		2

OPTIONAL ACCESSORIES ACCESSORIES	MODELS					
	Z7FRED1B00 372075	Z7FREH2B00 372076	Z7FRED1BF0 372077	Z7FREH2BF0 372078	Z7FRED120N 372140	Z7FREH22FN 372141
2 BASKETS FOR 2X5 LT AND 7 LT FRYERS	960638	960638	960638	960638	960638	960638
2 SIDE COVERING PANELS H=250-D=700-Z/OEM	206320	206320			206320	
2 SIDE COVERING PANELS H=700-D=700-Z/OEM			206319	206319		206319
2 SIDE KICKING STRIPS - 700 LINE			206249	206249		206249
2 SIDE KICKING STRIPS-CONCRETE INST-700			206265	206265		206265
4 FEET FOR CONCRETE INSTALLATION			206210	206210		206210
BASKET FOR 7 LT FRYERS	921608	921608	921608	921608	921608	921608
CHIMNEY COVER 400MM OPEN	206284		206284		206284	
CHIMNEY UPSTAND 400MM	206303		206303		206303	
CHIMNEY UPSTAND 800MM		206304		206304		
DOOR FOR OPEN BASE CUPBOARD-ZANUSSI			206342	206342		206342
FILTER FOR FRYER OIL COLLECTION BASIN			921693	921693		921693
FLANGED FEET KIT			206136	206136		206136
FRONT.KICK.STRIP F.CONCRETE INST.1000 MM			206150	206150		206150
FRONT.KICK.STRIP F.CONCRETE INST.1200 MM			206151	206151		206151
FRONT.KICK.STRIP F.CONCRETE INST.1600 MM			206152	206152		206152
FRONT.KICK.STRIP F.CONCRETE INST.200 MM			206146	206146		206146
FRONT.KICK.STRIP F.CONCRETE INST.400 MM			206147	206147		206147
FRONT.KICK.STRIP F.CONCRETE INST.800 MM			206148	206148		206148
FRONTAL HANDRAIL 1200 MM	206191	206191	206191	206191	206191	206191
FRONTAL HANDRAIL 1600 MM	206192	206192	206192	206192	206192	206192
FRONTAL HANDRAIL 400 MM	206166		206166		206166	
FRONTAL HANDRAIL 800 MM	206167	206167	206167	206167	206167	206167
FRONTAL KICKING STRIP 1000 MM			206177	206177		206177
FRONTAL KICKING STRIP 1200 MM			206178	206178		206178
FRONTAL KICKING STRIP 1600 MM			206179	206179		206179
FRONTAL KICKING STRIP 200 MM			206174	206174		206174
FRONTAL KICKING STRIP 400 MM			206175	206175		206175
FRONTAL KICKING STRIP 800 MM			206176	206176		206176
LARGE HANDRAIL(PORTIONING SHELF)400 MM	206185	206185	206185	206185	206185	206185
LARGE HANDRAIL(PORTIONING SHELF)800 MM	206186	206186	206186	206186	206186	206186
SIDE HANDRAIL-RIGHT/LEFT HAND-700 LINE	206240	206240	206240	206240	206240	206240
SUPPORT FOR "BRIDGE" SYSTEM 1000 MM	206138	206138			206138	
SUPPORT FOR "BRIDGE" SYSTEM 1200 MM	206139	206139			206139	
SUPPORT FOR "BRIDGE" SYSTEM 1400 MM	206140	206140			206140	
SUPPORT FOR "BRIDGE" SYSTEM 1600 MM	206141	206141			206141	
SUPPORT FOR "BRIDGE" SYSTEM 400 MM	206154				206154	
SUPPORT FOR "BRIDGE" SYSTEM 800 MM	206137	206137			206137	



www.zanussiprofessional.com



LEGEND

EI - Electrical connection

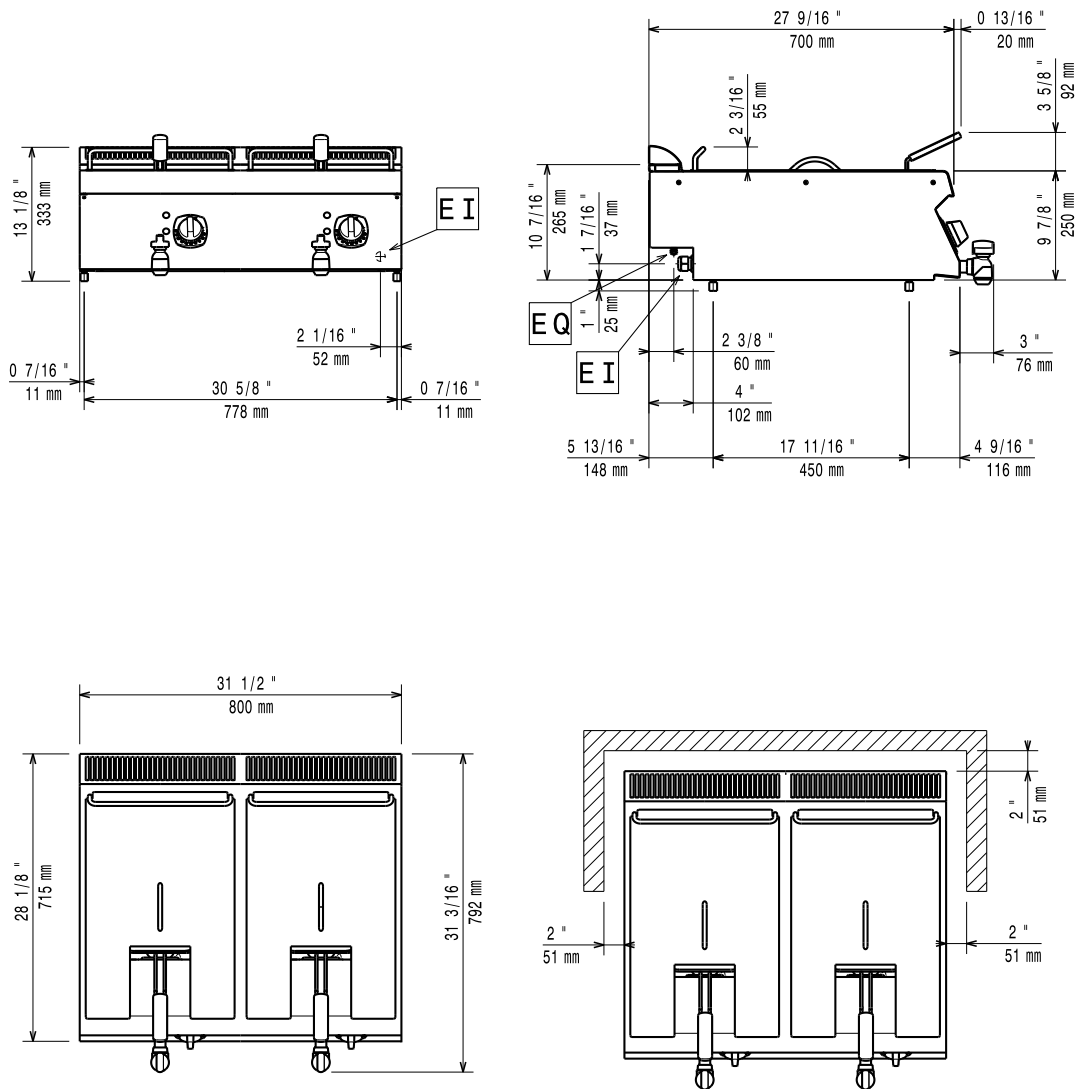
Z7FRED1B00

372075

400 V, 3N, 50/60



www.zanussiprofessional.com



LEGEND

EI - Electrical connection

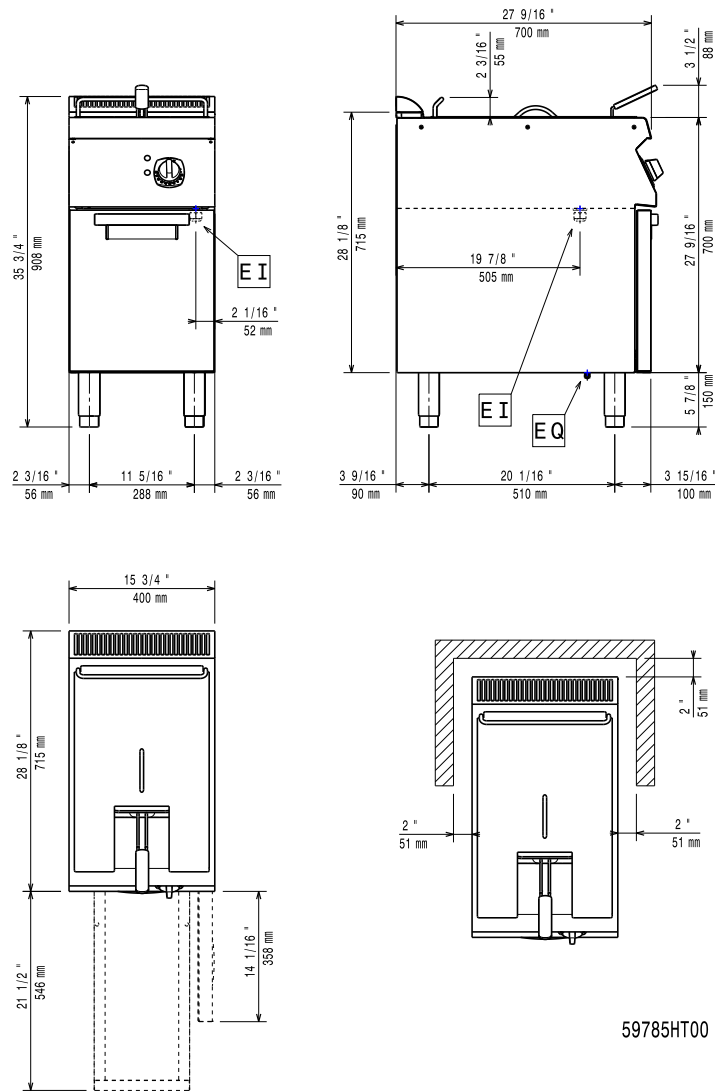
Z7FREH2B00

372076

400 V, 3N, 50/60



www.zanussiprofessional.com



59785HT00

LEGEND

EI - Electrical connection

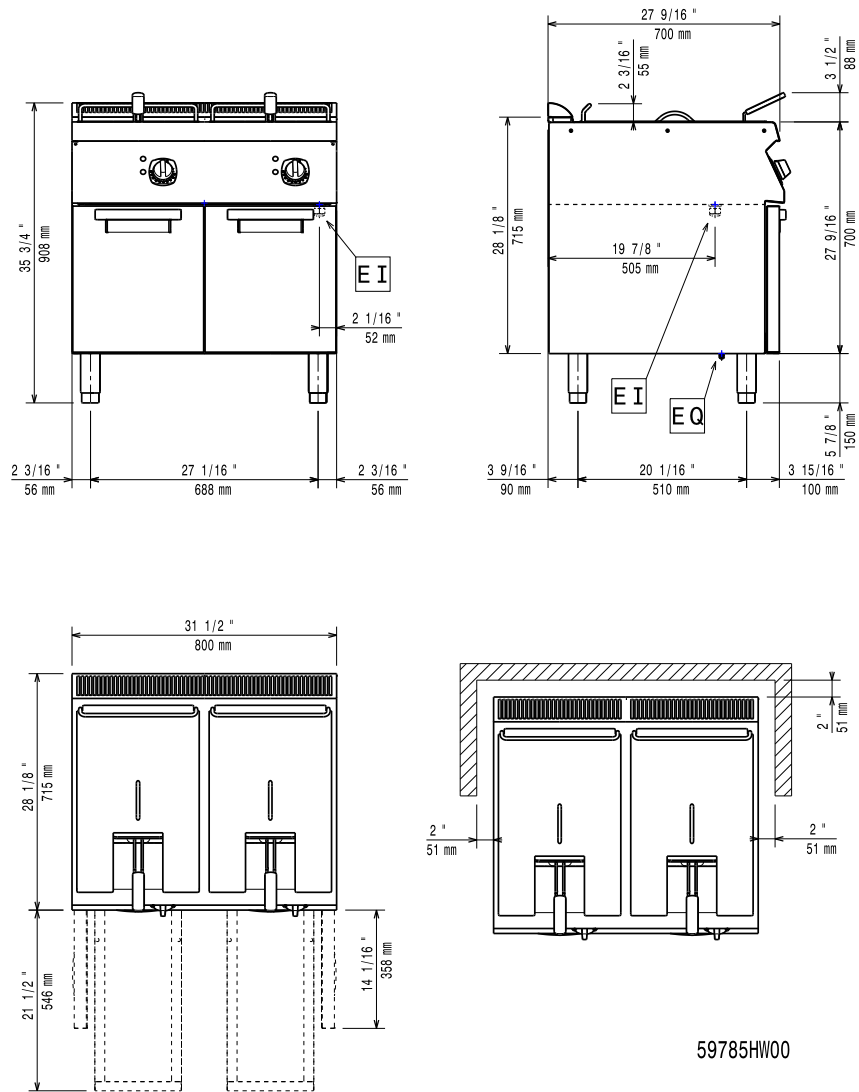
Z7FRED1BF0

372077

400 V, 3N, 50/60



www.zanussiprofessional.com



LEGEND

EI - Electrical connection

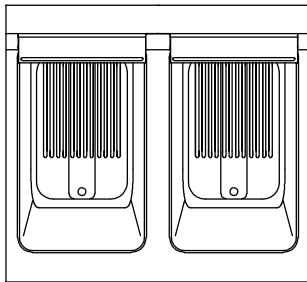
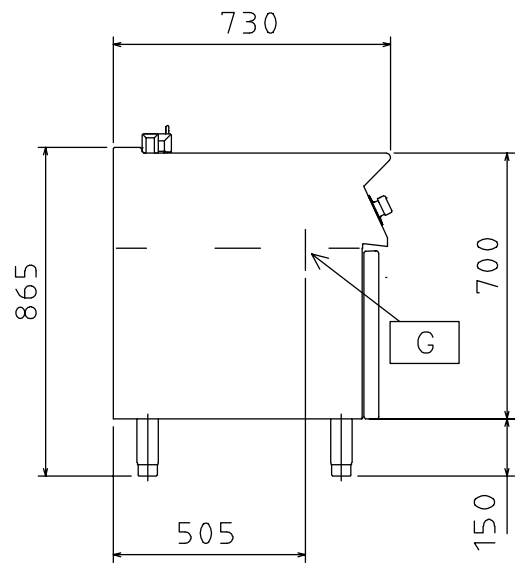
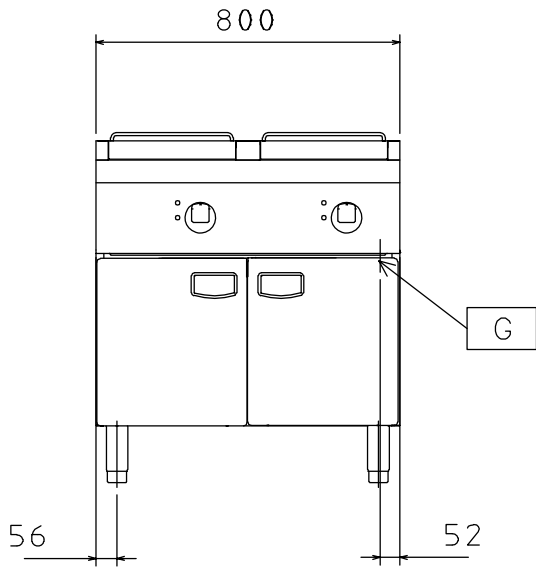
Z7FREH2BF0

372078

400 V, 3N, 50/60



www.zanussiprofessional.com



597841700

LEGEND

EI - Electrical connection

Z7FREH22FN
372141

230 V, 3, 50/60



www.zanussiprofessional.com