

RANGE COMPOSITION

EVO700: range comprised of over 100 models designed to guarantee the highest level of performance, reliability, energy saving, safety standards and ergonomic operation. These concepts are reflected throughout the line in its modularity, construction and numerous configurations. Thanks to its advance technology and premium performance, the EVO700 is a perfect solution for institutions with a limited footprint as well as restaurants needing to obtain the most from the kitchen space. The models detailed in this sheet are electric hot plate tops with 2, 4 or 6 round or square plates.



372019

EVO700

ELECTRIC HOT PLATE TOPS **ZANUSSI** PROFESSIONAL

FUNCTIONAL AND CONSTRUCTION FEATURES

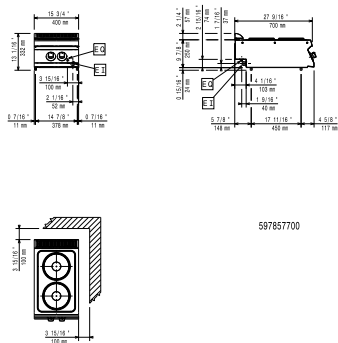
- ◆ Cast-iron hot plates hermetically sealed to the one-piece top, with safety thermostat.
- ◆ Hot plates each having a power of 2,6 kW with regulation in steps.

- ◆ One piece pressed worktop in 1,5mm stainless steel with smooth, rounded corners.
- ◆ Front panel in stainless steel with Scotch Brite finish.
- ◆ All models have right-angled side edges to allow flush-fitting joins between units, eliminating gaps and possible dirt traps.
- ◆ The special design of the control

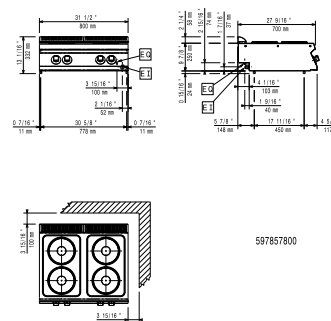
- knobs and bezels guarantees against water infiltration.
- ◆ IPX4 water protection.
- ◆ Main connections can be via the rear of the unit.
- ◆ All models can be easily mounted on open base cupboards or bridging supports.
- ◆ All top models provided with service duct to facilitate installation.

TECHNICAL DATA							
CHARACTERISTICS	MODELS						
	Z7ECED2R00 372014	Z7ECED2R0N 372126	Z7ECEH4R00 372015	Z7ECEH4R0N 372127	Z7ECEH4Q00 372017	Z7ECEH4Q0N 372130	Z7ECEL6R00 372019
Power supply	Electric	Electric	Electric	Electric	Electric	Electric	Electric
External dimensions - mm							
width	400	400	800	800	800	800	1200
depth	700	700	700	700	700	700	700
height	250	250	250	250	250	250	250
Back plate dimensions - mm	Ø 230	Ø 230	Ø 230, Ø 230	Ø 230, Ø 230	Ø 230, Ø 230	Ø 230, Ø 230	Ø 230, Ø 230, Ø 230, Ø 230
Back plates power - kW	2.6	2.6	2.6, 2.6	2.6, 2.6	2.6, 2.6	2.6, 2.6	2.6, 2.6, 2.6
Front plates dimension - mm	Ø 230	Ø 230	Ø 230, Ø 230	Ø 230, Ø 230	Ø 230, Ø 230	Ø 230, Ø 230	Ø 230, Ø 230, Ø 230, Ø 230
Front plates power - kW	2.6	2.6	2.6, 2.6	2.6, 2.6	2.6, 2.6	2.6, 2.6	2.6, 2.6, 2.6
Power - kW							
installed-electric	5.2	5.2	10.4	10.4	10.4	10.4	15.6
Net weight - kg.	20	20	40	40	40	40	60
Supply voltage	400 V, 3N, 50/60	230 V, 3, 50/60	400 V, 3N, 50/60	230 V, 3, 50/60	400 V, 3N, 50/60	230 V, 3, 50/60	400 V, 3N, 50/60

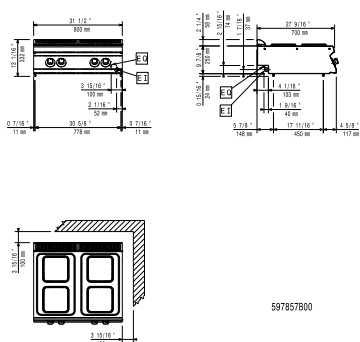
372014, 372126



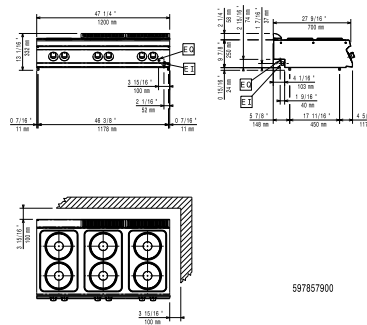
372015, 372127



372017, 372130



372019



LEGEND

	Z7ECED2R00 372014	Z7ECED2R0N 372126	Z7ECEH4R00 372015	Z7ECEH4R0N 372127	Z7ECEH4Q00 372017	Z7ECEH4Q0N 372130	Z7ECEL6R00 372019
EI - Electrical connection	400 V, 3N, 50/60	230 V, 3, 50/60	400 V, 3N, 50/60	230 V, 3, 50/60	400 V, 3N, 50/60	230 V, 3, 50/60	400 V, 3N, 50/60

OPTIONAL ACCESSORIES

ACCESSORIES	MODELS						
	Z7ECED2R00 372014	Z7ECED2R0N 372126	Z7ECEH4R00 372015	Z7ECEH4R0N 372127	Z7ECEH4Q00 372017	Z7ECEH4Q0N 372130	Z7ECEL6R00 372019
2 SIDE COVERING PANELS H=250-D=700-Z/OEM	206320	206320	206320	206320	206320	206320	206320
CHIMNEY COVER 400MM OPEN	206284	206284					
CHIMNEY UPSTAND 400MM	206303	206303					
CHIMNEY UPSTAND 800MM			206304	206304	206304	206304	206304
FRONTAL HANDRAIL 1200 MM	206191	206191	206191	206191	206191	206191	206191
FRONTAL HANDRAIL 1600 MM	206192	206192	206192	206192	206192	206192	206192
FRONTAL HANDRAIL 400 MM	206166	206166					
FRONTAL HANDRAIL 800 MM	206167	206167	206167	206167	206167	206167	
LARGE HANDRAIL(PORIONING SHELF)400 MM	206185	206185	206185	206185	206185	206185	206185
LARGE HANDRAIL(PORIONING SHELF)800 MM	206186	206186	206186	206186	206186	206186	206186
SIDE HANDRAIL-RIGHT/LEFT HAND-700 LINE	206240	206240	206240	206240	206240	206240	206240
SUPPORT FOR "BRIDGE" SYSTEM 1000 MM	206138	206138	206138	206138	206138	206138	206138
SUPPORT FOR "BRIDGE" SYSTEM 1200 MM	206139	206139	206139	206139	206139	206139	206139
SUPPORT FOR "BRIDGE" SYSTEM 1400 MM	206140	206140	206140	206140	206140	206140	206140
SUPPORT FOR "BRIDGE" SYSTEM 1600 MM	206141	206141	206141	206141	206141	206141	206141
SUPPORT FOR "BRIDGE" SYSTEM 400 MM	206154	206154					
SUPPORT FOR "BRIDGE" SYSTEM 800 MM	206137	206137	206137	206137	206137	206137	
WATER COLUMN EXTENSION FOR 700 LINE	206291	206291	206291	206291	206291	206291	206291
WATER COLUMN WITH SWIVEL ARM	206289	206289	206289	206289	206289	206289	206289



www.zanussiprofessional.com