

RANGE COMPOSITION

EVO700: range comprised of over 100 models designed to guarantee the highest level of performance, reliability, energy saving, safety standards and ergonomic operation. These concepts are reflected throughout the line in its modularity, construction and numerous configurations. Thanks to its advance technology and premium performance, the EVO700 is a perfect solution for institutions with a limited footprint as well as restaurants needing to obtain the most from the kitchen space. The models detailed in this sheet are 2, 4 and 6 burners gas boiling tops.



372004

EVO700

2/4/6 BURNER GAS BOILING TOPS

ZANUSSI
PROFESSIONAL

FUNCTIONAL AND CONSTRUCTION FEATURES

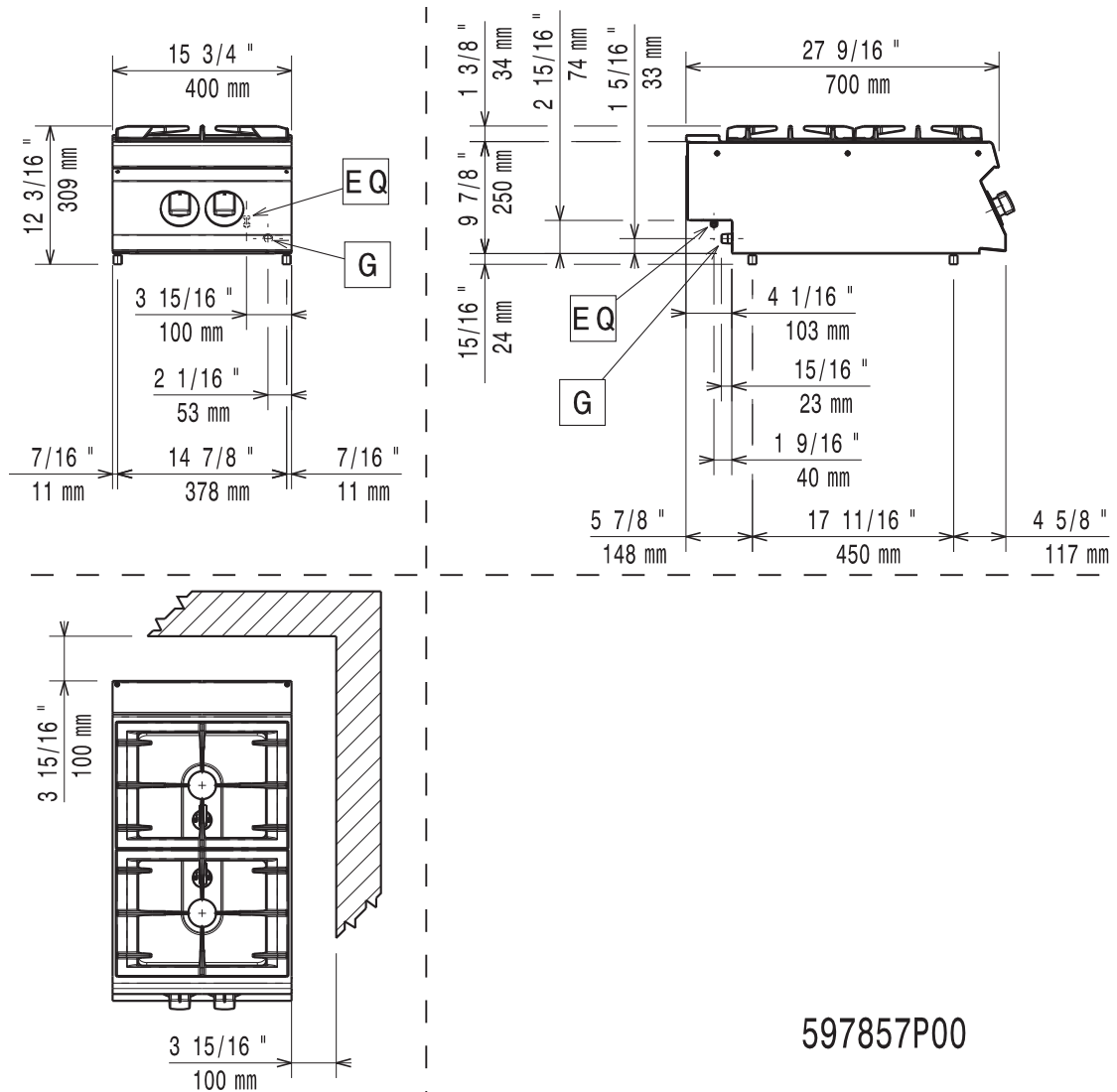
- ◆ Burners:
 - 5,5 kW (with continuous flame regulation from 1,1kW to 5,5kW)
 - Flame failure device to protect against accidental extinguishing of the flame.
 - Protected pilot light.
- ◆ All models have right-angled side edges to allow flush-fitting joins between units.
- ◆ IPX4 water protection.
- ◆ Main connections can be via the rear of the unit.
- ◆ All models can be easily mounted on open base cupboards or bridging supports.
- ◆ All top models provided with service duct to facilitate installation.
- ◆ All gas appliances are supplied for use with natural gas, LPG or town gas. Conversion jets supplied as standard.

TECHNICAL DATA			
CHARACTERISTICS	MODELS		
	Z7GCGD2C00 372000	Z7GCGH4C00 372001	Z7GCGL6C00 372004
Power supply	Gas	Gas	Gas
External dimensions - mm			
width	400	800	1200
depth	700	700	700
height	250	250	250
Back burner dimensions - mm	Ø 60	Ø 60, Ø 60	Ø 60, Ø 60, Ø 60
Back burners power - kW	5.5	5.5, 5.5	5.5, 5.5, 5.5
Front burners dimension - mm	Ø 60	Ø 60, Ø 60	Ø 60, Ø 60, Ø 60
Front burners power - kW	5.5	5.5, 5.5	5.5, 5.5, 5.5
Power - kW			
gas	11	22	33
Net weight - kg.	20	38	55

OPTIONAL ACCESSORIES			
ACCESSORIES	MODELS		
	Z7GCGD2C00 372000	Z7GCGH4C00 372001	Z7GCGL6C00 372004
2 SIDE COVERING PANELS H=250-D=700-Z/OEM	206320	206320	206320
4 WHEELS (2 WITH BRAKE)			206188
CHIMNEY COVER 400MM CLOSED	206269		
CHIMNEY UPSTAND 1200MM			206306
CHIMNEY UPSTAND 400MM	206303		
CHIMNEY UPSTAND 800MM		206304	
DOUBLE BURNER RIBBED PLATE - 700 LINE	921685	921685	921685
DOUBLE BURNER SMOOTH PLATE - 700 LINE	921684	921684	921684
DRAUGHT DIVERTER WITH 120 MM DIAMETER	206126		
DRAUGHT DIVERTER WITH 150 MM DIAMETER		206132	
FLUE CONDENSER FOR 1 MODULE DIAM.150MM		206246	
FLUE CONDENSER FOR 1/2 MOD. DIAM.120MM	206310		
FRONTAL HANDRAIL 1200 MM	206191	206191	206191
FRONTAL HANDRAIL 1600 MM	206192	206192	206192
FRONTAL HANDRAIL 400 MM	206166		
FRONTAL HANDRAIL 800 MM	206167	206167	
LARGE HANDRAIL(PORTIONING SHELF)400 MM	206185	206185	206185
LARGE HANDRAIL(PORTIONING SHELF)800 MM	206186	206186	206186
MATCHING RING FOR FLUE CONDENSER 150DIAM		206133	
MATCHING RING-FLUE CONDENSER 120-130DIAM	206127		
PRESSURE REGULATOR FOR GAS UNITS	927225	927225	927225
S/S GRID FOR DOUBLE BURNER-700 LINE	206297	206297	206297
SIDE HANDRAIL-RIGHT/LEFT HAND-700 LINE	206240	206240	206240
SINGLE BURNER RADIANT PLATE - 700 LINE	206264	206264	206264
SINGLE BURNER RIBBED PLATE - 700 LINE	206261	206261	206261
SINGLE BURNER SMOOTH PLATE - 700 LINE	206260	206260	206260
SUPPORT FOR "BRIDGE" SYSTEM 1000 MM	206138	206138	
SUPPORT FOR "BRIDGE" SYSTEM 1200 MM	206139	206139	206139
SUPPORT FOR "BRIDGE" SYSTEM 1400 MM	206140	206140	206140
SUPPORT FOR "BRIDGE" SYSTEM 1600 MM	206141	206141	206141
SUPPORT FOR "BRIDGE" SYSTEM 400 MM	206154		
SUPPORT FOR "BRIDGE" SYSTEM 800 MM	206137	206137	
WATER COLUMN EXTENSION FOR 700 LINE	206291	206291	206291
WATER COLUMN WITH SWIVEL ARM	206289	206289	206289



www.zanussiprofessional.com



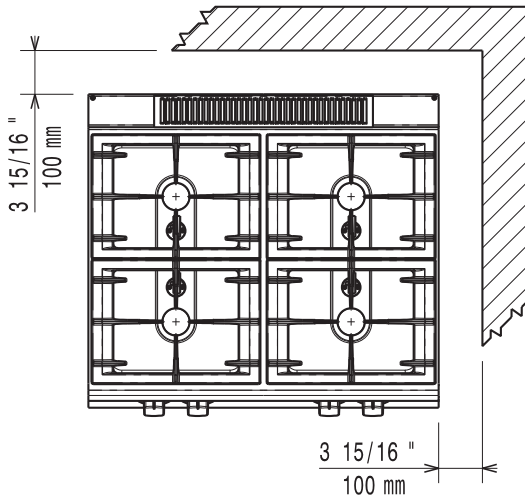
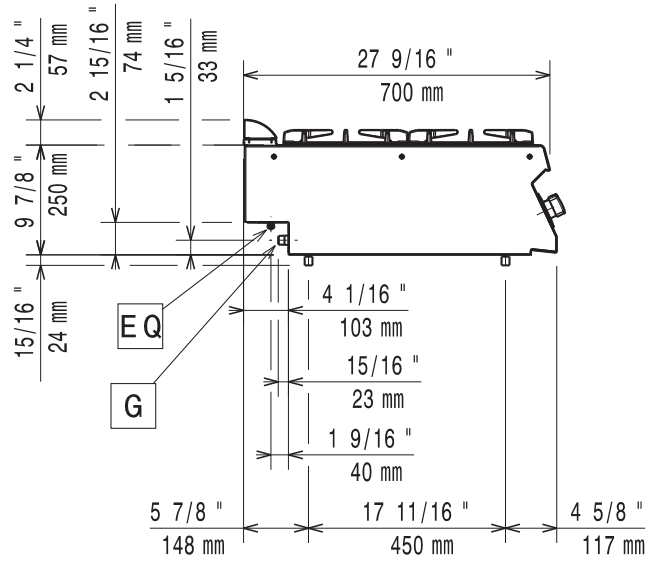
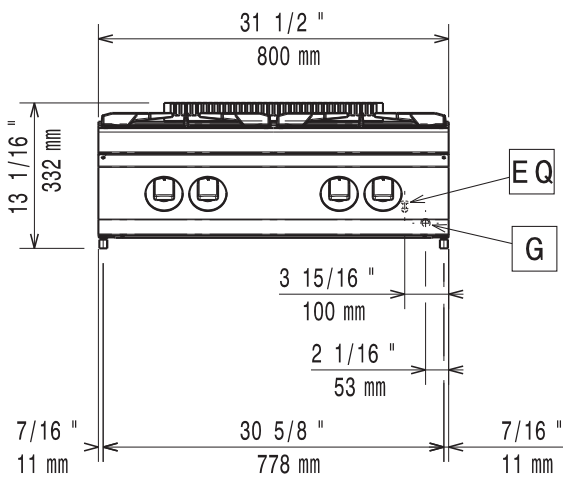
597857P00

LEGEND

	Z7GCGD2C00 372000
G - Gas connection	1/2"



www.zanussiprofessional.com



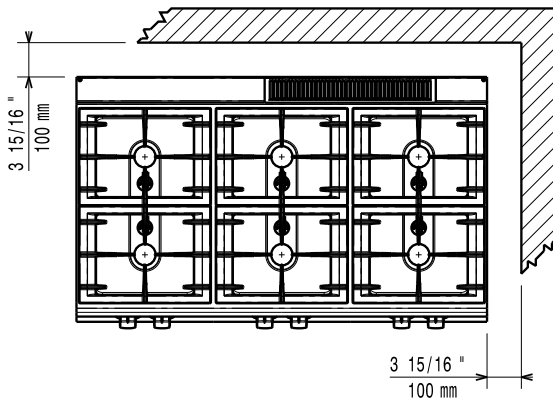
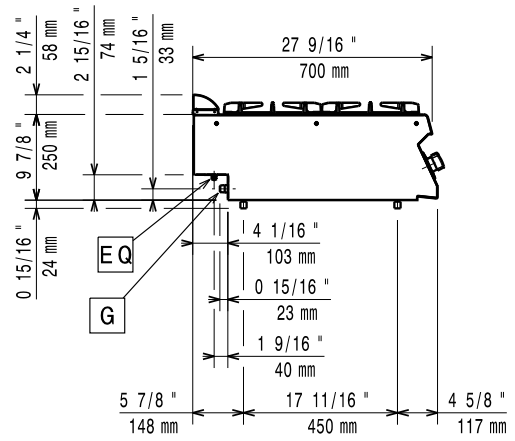
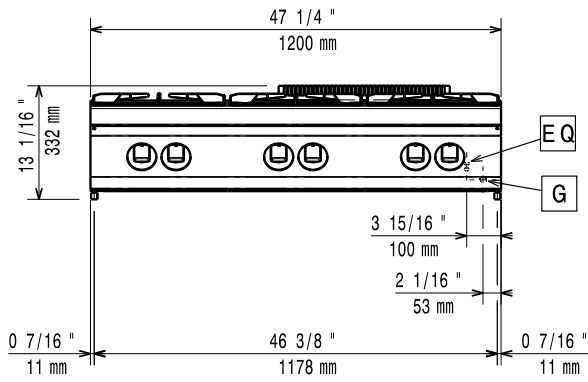
597857Q00

LEGEND

	Z7GCGH4C00 372001
G - Gas connection	1/2"



www.zanussiprofessional.com



597857R00

LEGEND

G - Gas connection

Z7GCGL6C00

372004

1/2"



www.zanussiprofessional.com