

RANGE COMPOSITION

EVO900: a range designed to guarantee the highest level of performance, reliability, energy saving, safety standards and ergonomic operation. These concepts are reflected throughout the line in its modularity, construction and numerous configurations: countertop (on base or table), free-standing, on concrete or stainless steel plinth, bridged or cantilever. Thanks to its advanced technology and premium performance, EVO900 is a perfect solution for restaurants as well as large institutions needing high power and high productivity. The models detailed in this sheet are 2 electric braising pans with **Duomat** cooking surface.



EVO900

DUOMAT ELECTRIC BRAISING PANS - 80 LT **ZANUSSI** PROFESSIONAL

FUNCTIONAL AND CONSTRUCTION FEATURES

- ◆ Infrared heating elements positioned beneath the cooking surface guarantee uniform heat distribution.
- ◆ The heating elements are built-in to the base of the well move together with the well during tilting for better cleaning and for the highest safety conditions.
- ◆ Thermostatically controlled temperature from 120°C to 300°C.
- ◆ Safety thermostat
- ◆ Front and side panels in stainless steel with Scotch Brite finish
- ◆ All models have right-angled side edges to allow flush fitting between units, eliminating gaps and possible dirt traps
- ◆ Well and double skinned lid/worktop in stainless steel.
- ◆ The stainless steel well features rounded corners and has a seamless weld joining the bottom plate from the rest of the well for fast, safe and easy cleaning.
- ◆ Bratt pans with **Duomat** cooking surface: a 10 mm-thick alloy obtained by combining a layer of 316 AISI stainless steel to a layer of mild steel to improve the thermal stability of the cooking surface, allow for a more multifunctional use of the bratt pan (dry and wet cooking can be performed alternatively) and ensure a higher resistance to corrosion.

- ◆ High- precision manual tilting system and pouring lip facilitate the emptying of the contents in the well.
- ◆ Main connections can be via the rear or base of the unit
- ◆ Automatic or manual tilt mechanism to facilitate the emptying of the Bratt Pan
- ◆ All models can be installed on cantilever system

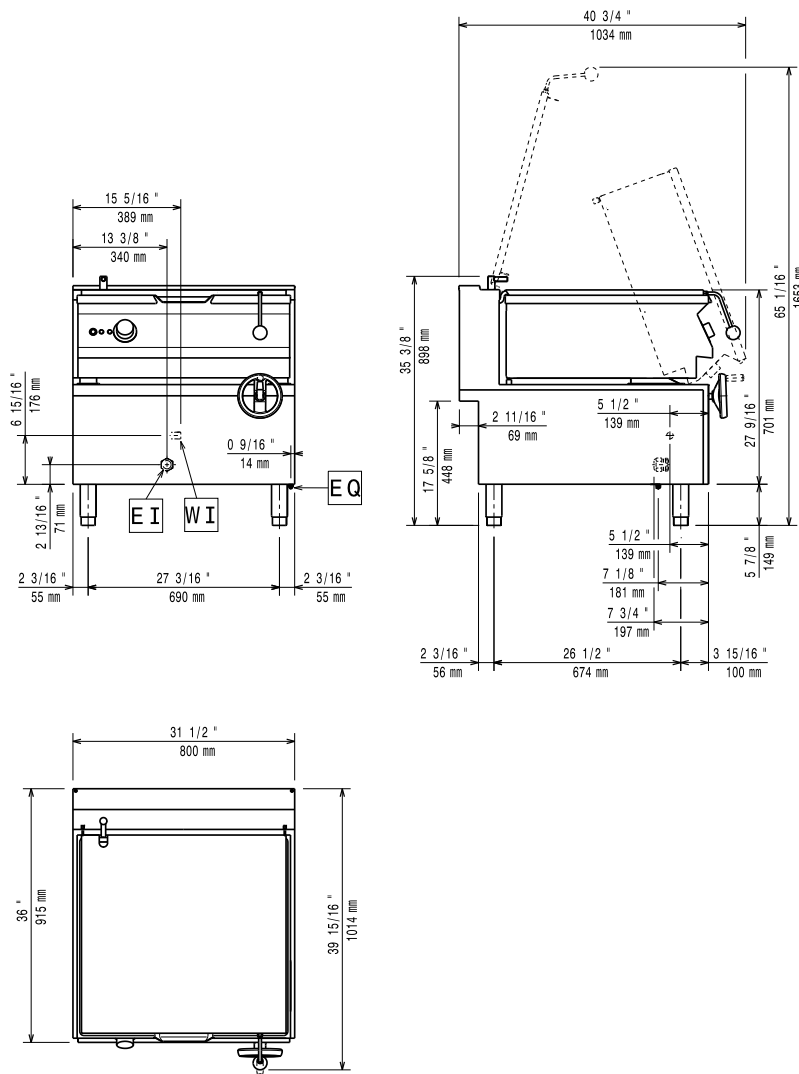
- ◆ The special design of the control knobs and bezels guarantees against water infiltration
- ◆ IPX5 water protection
- ◆ Feet in stainless steel are adjustable up to 50 mm in height.

TECHNICAL DATA		
CHARACTERISTICS	MODELS	
	Z9BREHDOF0 392145	Z9BREHDOFM 392146
Power supply	Electric	Electric
External dimensions - mm		
width	800	800
depth	900	900
height	850	850
height adjustment	50	50
Cooking surface		
material	Duomat	Duomat
Maximum Well Capacity -lt	80	80
Cooking surface dimensions - mm		
width	680	680
depth	565	565
Working temperature - min/max - °C	120, 300	120, 300
Power - kW		
auxiliary	0.25	0.25
installed-electric	13	13
Net weight - kg.	150	150
Supply voltage	400 V, 3N, 50/60	400 V, 3N, 50/60
Automatic tilting		●

OPTIONAL ACCESSORIES		
ACCESSORIES	MODELS	
	Z9BREHDOF0 392145	Z9BREHDOFM 392146
2 PANELS FOR SERVICE DUCT (BACK TO BACK)	206202	206202
2 PANELS FOR SERVICE DUCT (SINGLE INST.)	206181	206181
2 SIDE COVERING PANELS H=700-D=900-Z/OEM	206335	206335
2 SIDE KICKING STRIPS - 900 LINE	206180	206180
CHIMNEY UPSTAND 800MM	206304	206304
FLANGED FEET KIT	206136	206136
FRONTAL KICKING STRIP 1000 MM	206177	206177
FRONTAL KICKING STRIP 1200 MM	206178	206178
FRONTAL KICKING STRIP 1600 MM	206179	206179
FRONTAL KICKING STRIP 800 MM	206176	206176



www.zanussiprofessional.com

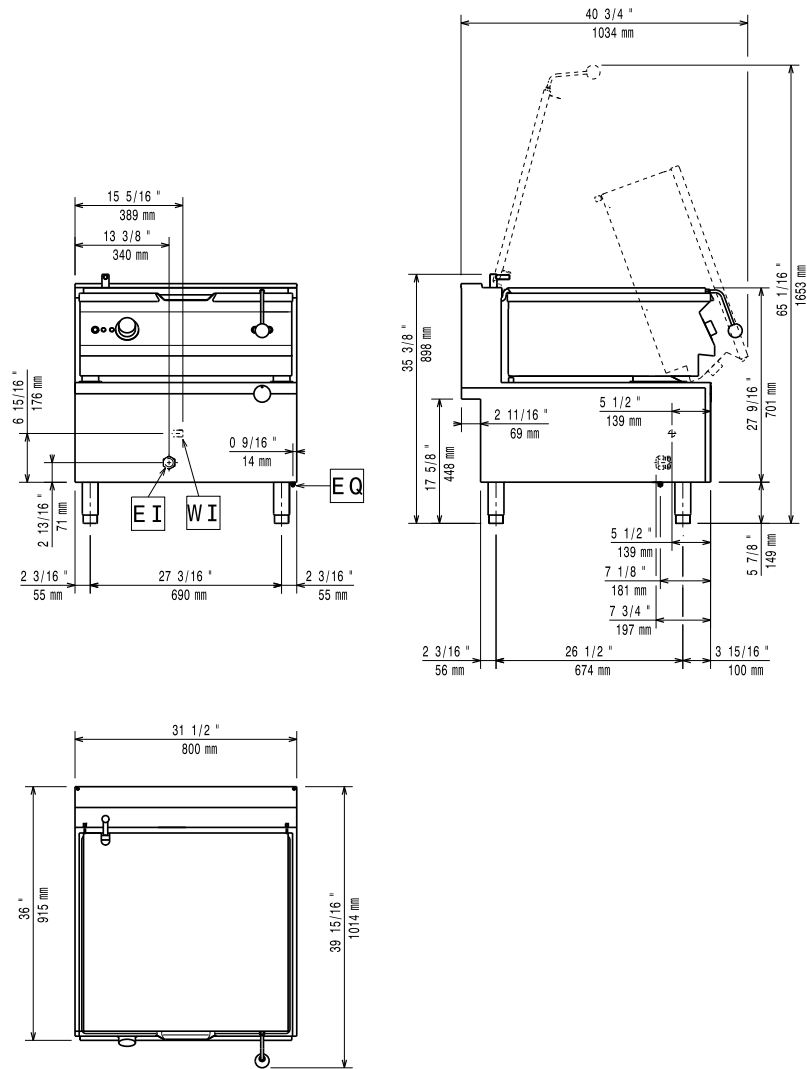


LEGEND

	Z9BREHDOF0 392145
CWI - Cold water inlet	3/4"
EI - Electrical connection	400 V, 3N, 50/60



www.zanussiprofessional.com



LEGEND

	Z9BREHDOFM 392146
CWI - Cold water inlet	3/4"
EI - Electrical connection	400 V, 3N, 50/60



www.zanussiprofessional.com