

# Catering

Depth 815 mm

# Cabinet Master 1400 lt -18°-22°C 2 doors

Model: **A140/2B**

Code: **A141406002**

**Exterior/interior finishing:**

- Stainless steel AISI 304 18/10
- Back in galvanised steel

**Insulation:**

- 75 mm thickness - CFC/HCFC free

**Cover evaporator:**

- Removable in PVC

**Internal racks and slides:**

- Stainless steel AISI 304 18/10

**Inner corners:**

- Rounded cornes ensuring maximum hygiene

**Feet:**

- Stainless steel AISI 304 adjustable 100-150 mm

**Door:**

- Self-closing, reversible with 105° dwell

**Door handle:**

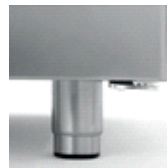
- Stainless steel AISI 304 Cr-Ni 18/10

**Door gasket:**

- Magnetic, easy to replace

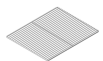


Constructional data



• Dimensions	1480×815×2085 mm
• Packing dimensions	1500×850×2250 mm
• Net weight	250 Kg
• Gross capacity	1400 lt
• Temperature range	-18°-22°C
• Cooling capacity	1564 W*
• Standard connection	230 V - 50 Hz
• Total rate	1708 W - 9,6 A
• Cooling gas	R404a
• Standard equipment	N. 6 plastic coated shelves - GN2/1 Key lock
• *Evap. -23,3°C cond. 54,4°C	

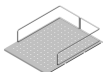
Features



Plastic coated shelf GN 650×530 mm  
Code O221650530



Pair of slides type C - 605 mm  
Code O121160520



Stainless steel coat for shelf 00 w/supports for bottles  
Code O261650530



Stainless steel drawer for cabinet Master 700-H150 mm  
Code L313007304



Kit of racks for drawers (cabinets)  
Code D615288004



Graphic temperature recorder -35°+15°C  
Code O841200020



Kit of 4 swivel and brake castors in stainless steel AISI 304  
Code O444000020

Accessories



# Catering

Depth 815 mm

# Cabinet Master 1400 lt -18°-22°C 2 doors

Coldline made major investments in design research, becoming a leader in technology and innovation. Each cabinet marked with the FSS symbol is equipped with a refrigeration system independent of the structure, which provides improved flexibility and service.



## FSS • FAST SERVICE SYSTEM

- You can change the intended use of an appliance, a freezer into a chiller - and the other way around - even after years of installation.
- You can extend the life of a refrigeration cabinet by replacing its old refrigeration system with a new one.
- Maintenance and service are simple, quick and do not require specialised personnel.

FSS • Fast Service System

### NO-COMPROMISE QUALITY STEEL

**AISI 304**

AISI 304 18/10 is a high quality steel. Its stability guarantees good-looking and durable products, ensuring maximum hygiene and corrosion resistance over time.

**75 mm**

### INSULATION THICKNESS

The 75 mm thick insulation ensures lower heat loss, reduced work of the compressor, therefore lower energy consumption.

### INTELLIGENT DEFROST



Intelligent defrost changes according to the actual presence of frost. The system runs for the minimum time required.

### EVAPORATION SYSTEM



The automatic evaporation of condensing water is activated only in the presence of water produced as a result of a defrost cycle.

### CONSTANT TEMPERATURE



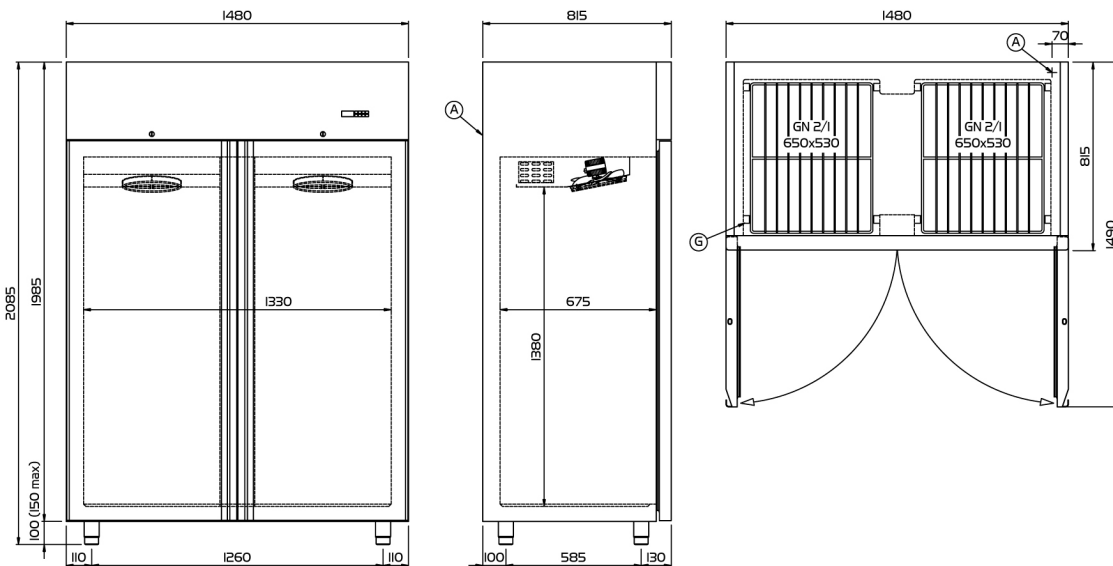
The fans stop when the door is opened to reduce temperature changes and consequently reduce the work of the compressor.

### ASPERA COMPRESSORS



Aspera compressors reduce energy consumption by 15% and acoustic impact by 5 dBA.

Focus



(A) POWER SUPPLY CABLE OUTLET

(B) DUAL REFRIGERATION SYSTEM IN FREEZER VERSIONS

(G) RACKS PITCH



Technical drawing



Cold Line S.r.l. • Via E. Mattei, 38 • 35038 Torreglia • Padova - Italy • www.coldline.it • info@coldline.it

In order to constantly offer the best possible products, we reserve the right to make changes on technical specifications without incurring any obligation for equipment previously or subsequently sold.



• Trade mark:	Coldline
• Model:	A140/2B
• Design:	Upright cabinet
• Energy efficiency class :	G
• Energy efficiency index :	107,7
• Net volume positive/negative:	- 870
• Climate class:	4 (30°C-55% r.h.)
• Energy consumption over 24 hours (E24h):	17,00
• Annual energy consumption in kWh:	6205
• Cooling gas:	R404a



# ENERG

енергия · ενεργεια

Y
IJA

IE
IA



## A140/2B



ENERGIA · ЕНЕРГИЯ · ΕΝΕΡΓΕΙΑ  
ENERGIJA · ENERGY · ENERGIE  
ENERGI

# 6205

kWh/annum



- L



870 L



4

30°C-55%

2015/1094-I

Energy label (UE 2015/1094)

Cold Line S.r.l. • Via E. Mattei, 38 • 35038 Torreglia • Padova - Italy • [www.coldline.it](http://www.coldline.it) • [info@coldline.it](mailto:info@coldline.it)

In order to constantly offer the best possible products, we reserve the right to make changes on technical specifications without incurring any obligation for equipment previously or subsequently sold.

